

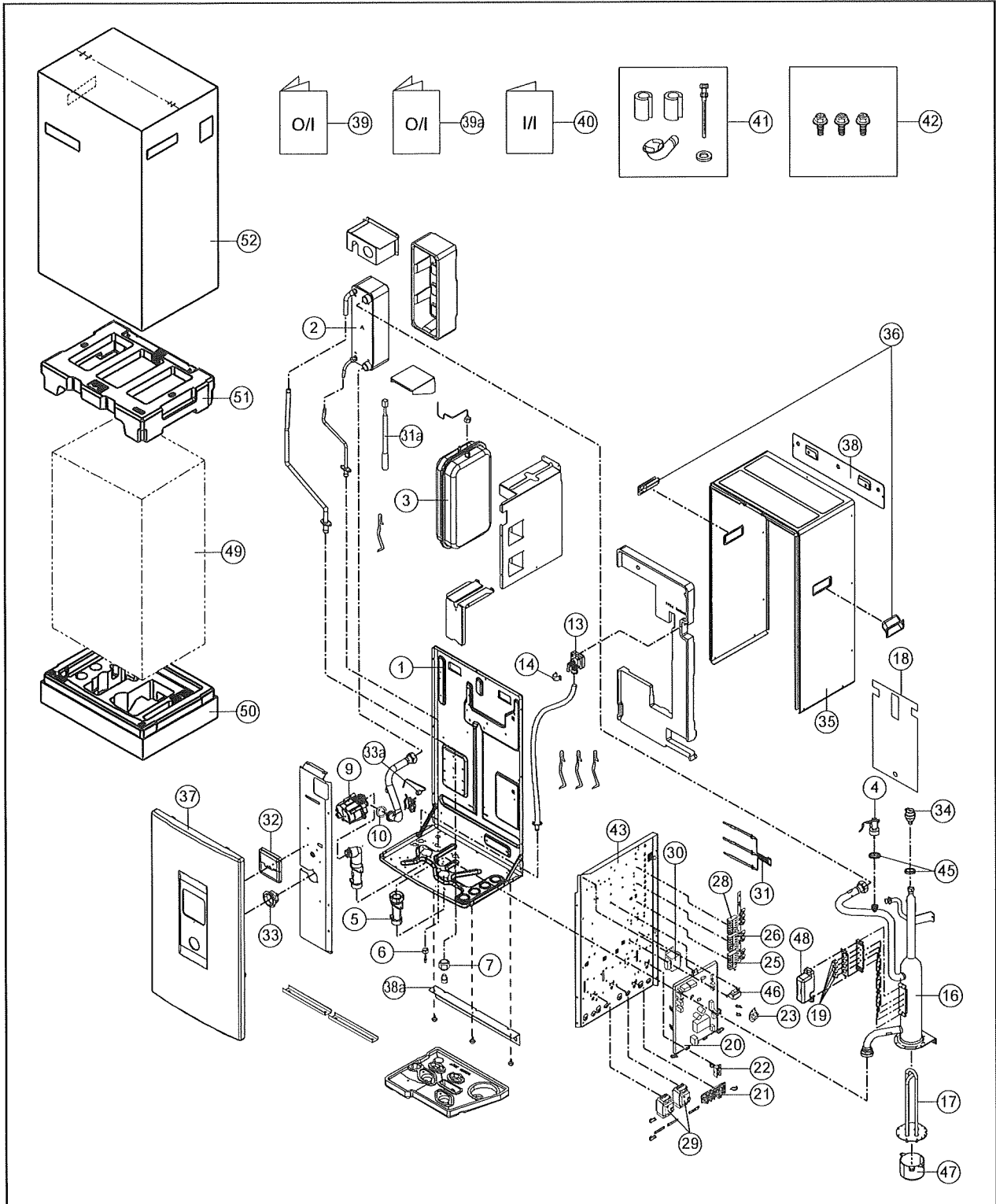
H17475

H17476

## 19. Exploded View and Replacement Parts List

### 19.1 Indoor Unit

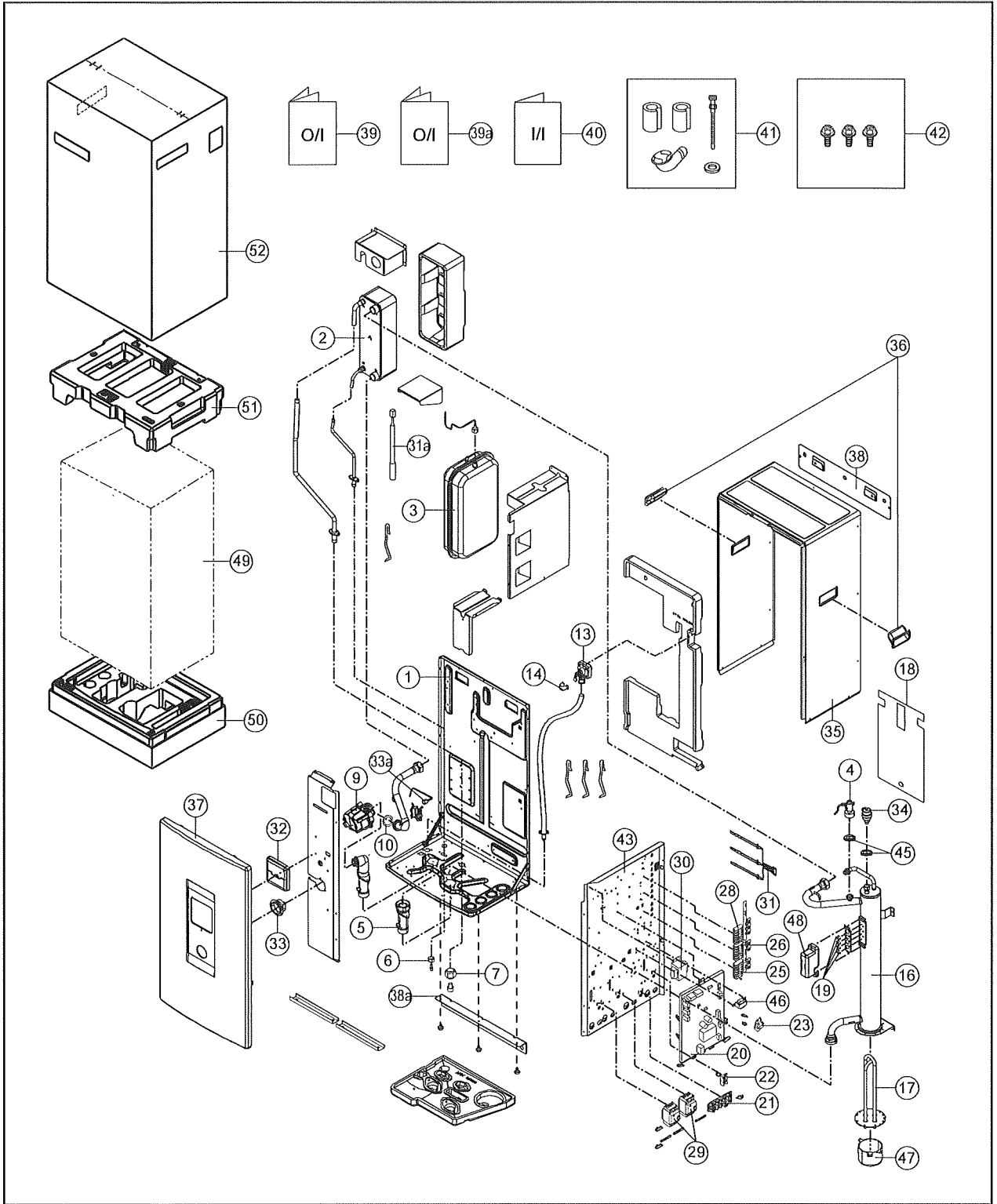
#### 19.1.1 WH-SXC09F3E5



**Note:**

- The above exploded view is for the purpose of parts disassembly and replacement.
- The non-numbered parts are not kept as standard service parts.

19.1.2 WH-SXC12F6E5



**Note:**

- The above exploded view is for the purpose of parts disassembly and replacement.
- The non-numbered parts are not kept as standard service parts.

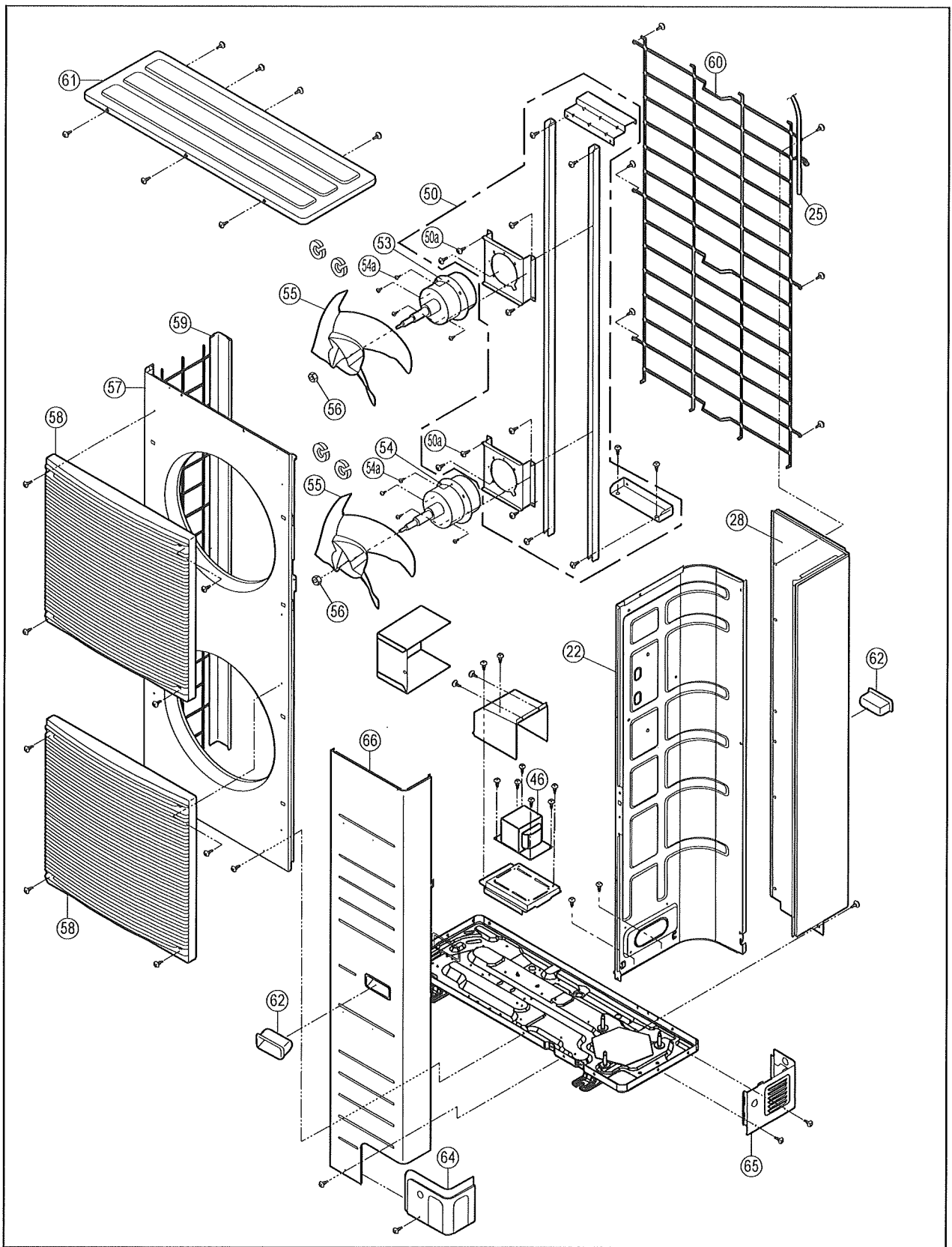
<Model: WH-SXC09F3E5 WH-SXC12F6E5>

SAFETY	REF. NO.	DESCRIPTION & NAME	QTY.	WH-SXC09F3E5	WH-SXC12F6E5	REMARK
	1	BASE PAN	1	CWD521279	←	
	2	HOT WATER COIL - COMPLETE	1	CWB90C1109	←	
	3	RECEIVER	1	CWB141039	←	
	4	FLOW SWITCH	1	CWB621128	←	O
	5	TUBE CONNECTOR - COMPLETE (WATER OUTLET)	1	CWT29K1003	←	
	6	FLARE NUT (5/8)	1	CWT251061	←	
	7	FLARE NUT (7/8)	1	CWT251064	←	
	9	WATER PUMP	1	CWB532116	←	O
	10	PACKING (O-RING) I.D 32mm	1	CWB811082	←	
	13	PRESSURE RELIEF VALVE	1	CWB621092	←	O
	14	RETAINING RING D:22mm	1	CWH581007	←	
	16	BOTTLE COMPLETE	1	CWH90C0044	CWH90C0045	
	17	HEATER ASS'Y	1	CWA34K1026	CWA34K1025	
	18	SOUND PROOF MATERIAL	1	CWG302835	CWG302853	
	19	THERMOSTAT	2/3	CWA151074	←	O
⚠	20	ELECTRONIC CONTROLLER - MAIN	1	CWA73C8153	CWA73C8154	O
⚠	21	TERMINAL BOARD ASS'Y (TO OUTDOOR)	1	CWA28K1217	←	O
⚠	22	TERMINAL BOARD ASS'Y (HEATER)	1	CWA28K1236	←	O
⚠	23	TERMINAL BOARD ASS'Y (RELAY BOOSTER)	1	CWA28K1237	←	O
⚠	25	TERMINAL BOARD ASS'Y (2,3 WAY VALVE)	1	CWA28K1229	←	O
⚠	26	TERMINAL BOARD ASS'Y (HEATER & ROOM THERMOSTAT)	1	CWA28K1230	←	O
⚠	28	TERMINAL BOARD ASS'Y (TANK)	1	CWA28K1231	←	O
	29	RESIDUAL CURRENT CIRCUIT BREAKER	2	CWA181005	←	O
	30	TRANSFORMER - COMPLETE	1	CWA40C1096	←	O
	31	SENSOR - COMPLETE (CN-TH1)	1	CWA50C2762	←	O
	31a	SENSOR - COMPLETE (CN-TH3)	1	CWA50C3164	←	O
⚠	32	REMOTE CONTROL COMPLETE	1	CWA75C4464	←	O
	33	PRESSURE GAUGE	1	CWB070001	←	O
	33a	FLARE NUT (1/4)	1	CWT251063	←	
	34	AIR PURGE VALVE	1	CWB621094	←	O
	35	CABINET	1	CWE001050A	←	
	36	HANDLE	2	CWE161008	←	
	37	CABINET FRONT PLATE	1	CWE061265A	←	
	38	INSTALLING HOLDER	1	CWH361103A	←	
	38a	INSTALLING HOLDER	1	CWH361119A	←	
	39	OPERATING INSTRUCTION	1	CWF569364	←	
	39a	OPERATING INSTRUCTION	1	CWF569376	←	
	40	INSTALLATION INSTRUCTION	1	CWF616136	←	
	41	ACCESSORY - COMPLETE (L-TUBE)	1	CWH82C1763	←	
	42	ACCESSORY - COMPLETE	1	CWH82C1754	←	
	43	CONTROL BOARD	1	CWH102409	←	
⚠	46	REACTOR	1	G0C103Z00003	←	O
	47	TERMINAL COVER (HEATER)	1	CWH171052	←	
	48	TERMINAL COVER (THERMOSTAT)	1	CWH171051	←	
	49	BAG	1	CWG861447	←	
	50	BASE BOARD - COMPLETE	1	CWG62C1124	←	
	51	SHOCK ABSORBER	1	CWG713189	←	
	52	C.C.CASE	1	CWG568364	←	

**Note:**

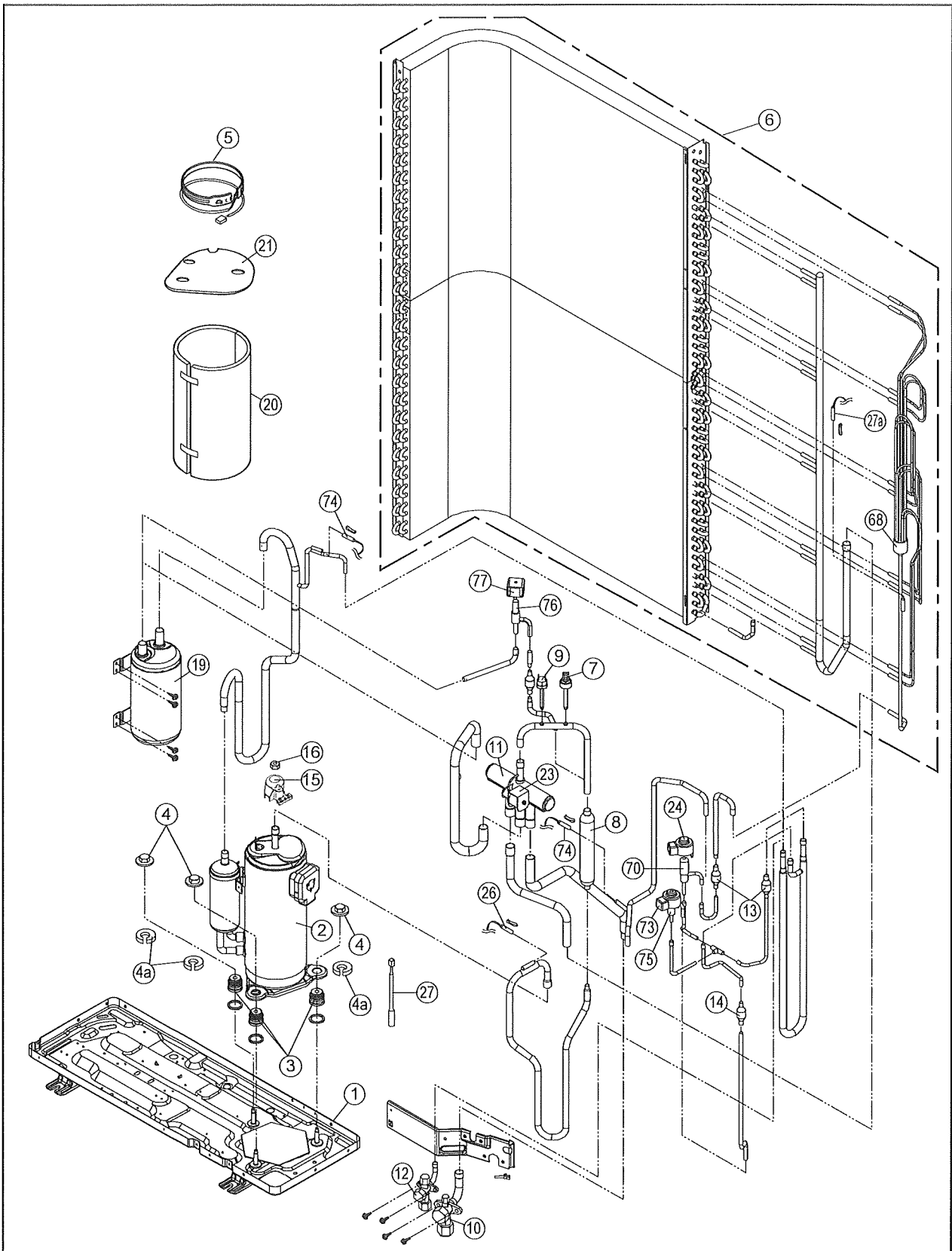
- All parts are supplied from PAPAMY, Malaysia (Vendor Code: 00029488).
- "O" marked parts are recommended to be kept in stock.

## 19.2 Outdoor Unit



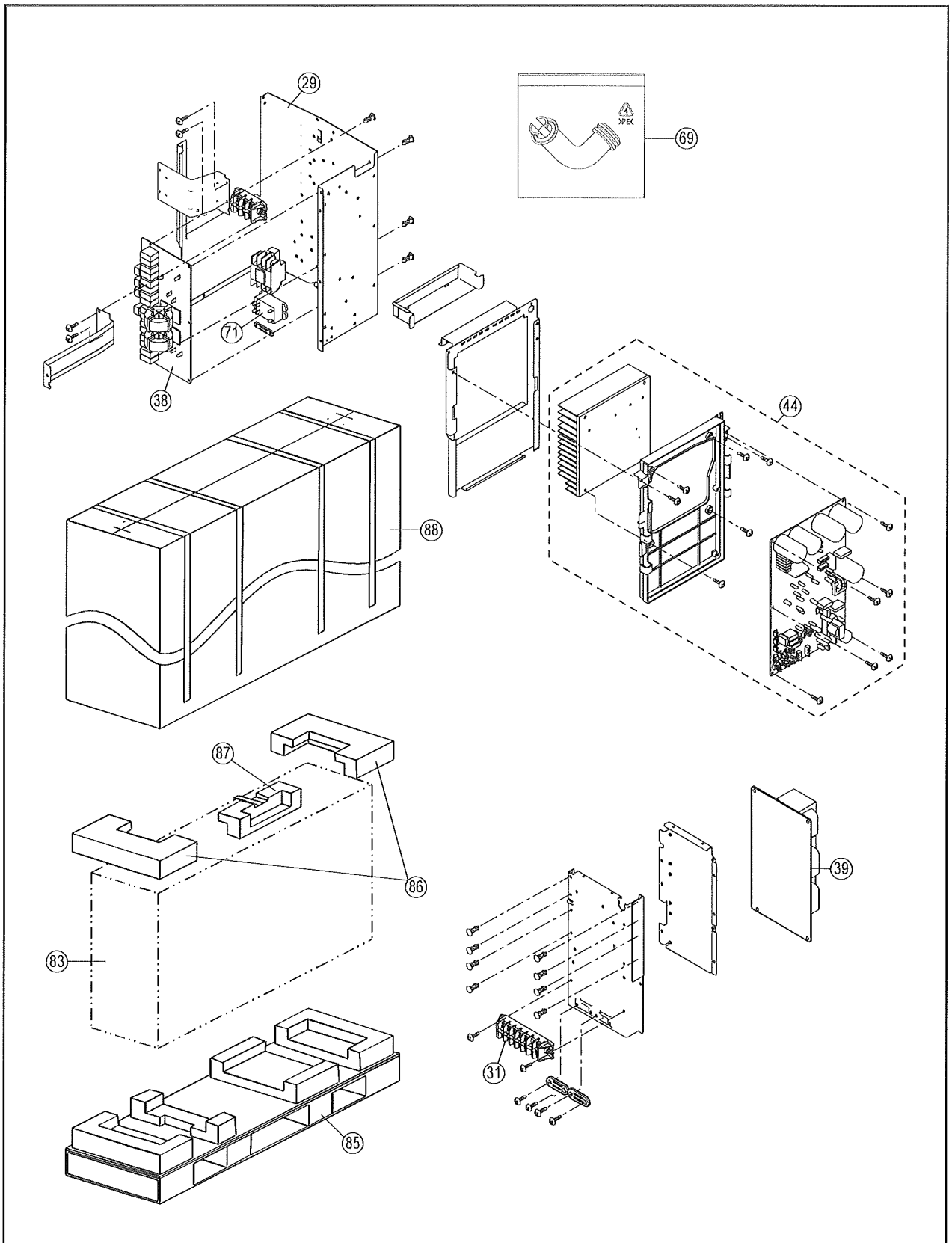
**Note:**

- The above exploded view is for the purpose of parts disassembly and replacement.
- The non-numbered parts are not kept as standard service parts.



**Note:**

- The above exploded view is for the purpose of parts disassembly and replacement.
- The non-numbered parts are not kept as standard service parts.



**Note:**

- The above exploded view is for the purpose of parts disassembly and replacement.
- The non-numbered parts are not kept as standard service parts.

<Model: WH-UX09FE5 WH-UX12FE5>

SAFETY	REF. NO.	DESCRIPTION & NAME	QTY.	WH-UX09FE5	WH-UX12FE5	REMARK
	1	BASE PAN ASS'Y	1	CWD52K1275	←	
⚠	2	COMPRESSOR	1	5JD420XAA22	←	O
	3	BUSHING - COMPRESSOR MOUNT	3	CWH50055	←	
	4	NUT - COMPRESSOR MOUNT	3	CWH561049	←	
	4a	GASKET FOR TERMINAL COVER	3	CWB811017	←	
	5	CRANKCASE HEATER	1	CWA341053	←	
	6	CONDENSER COMPLETE	1	CWB32C3986	←	
	7	HIGH PRESSURE SENSOR	1	CWA501463	←	O
	8	DISCHARGE MUFFLER	1	CWB121014	←	
	9	PRESSURE SWITCH	1	CWA101007	←	O
	10	3-WAYS VALVE (GAS)	1	CWB011251	←	
	11	4-WAYS VALVE	1	CWB001046	←	
	12	3-WAYS VALVE	1	CWB011292	←	
	13	STRAINER	2	CWB111032	←	
	14	STRAINER	1	CWB111032	←	
	15	TERMINAL COVER	1	CWH171039A	←	
	16	NUT - TERMINAL COVER	1	CWH7080300J	←	
	19	ACCUMULATOR	1	CWB131026A	←	
	20	SOUND PROOF MATERIAL	1	CWG302265	←	
	21	SOUND PROOF MATERIAL	1	CWG302266	←	
	22	SOUND PROOF BOARD	1	CWH15K1019	←	
⚠	23	V-COIL COMPLETE (4 WAY VALVE)	1	CWA43C2169J	←	O
⚠	24	V-COIL COMPLETE (MAIN EXPANSION VALVE)	1	CWA43C2602	←	O
	25	SENSOR - COMP. (OUTLET AIR TEMP SENSOR)	1	CWA50C2730	←	O
	26	SENSOR - COMP. (DISCHARGE TEMP SENSOR)	1	CWA50C2576	←	O
	27	SENSOR - COMPLETE (COMP TEMP SENSOR)	1	CWA50C2629	←	O
	27a	SENSOR - COMP. (DEFROST TEMP SENSOR)	1	CWA50C2577	←	O
	28	CABINET REAR PLATE - COMPLETE	1	CWE02C1064	←	
	29	CONTROL BOARD CASING	1	CWH10K1049	←	
⚠	31	TERMINAL BOARD ASS'Y	1	CWA28K1213	←	O
⚠	38	ELECTRONIC CONTROLLER - (NF)	1	CWA747852	←	O
⚠	39	ELECTRONIC CONTROLLER - (CAPACITOR)	1	CWA747853	←	O
⚠	44	ELECTRONIC CONTROLLER - (MAIN)	1	CWA73C8131R	CWA73C8152R	O
⚠	46	REACTOR	1	G0C592J00006	←	O
⚠	50	FAN MOTOR BRACKET	1	CWD54K1024	←	
	50a	SCREW - FAN MOTOR BRACKET	8	CWH551040J	←	
	53	FAN MOTOR (UPPER)	1	EHDS83CAC	←	O
	54	FAN MOTOR (LOWER)	1	EHDS83DAC	←	O
	54a	SCREW - FAN MOTOR MOUNT	8	CWH551323	←	
	55	PROPELLER FAN ASSY	2	CWH00K1006	←	
	56	NUT	2	CWH561092	←	
	57	CABINET FRONT PLATE	1	CWE061098A	←	
	58	DISCHARGE GRILLE	2	CWE201073	←	
	59	CABINET SIDE PLATE ASSY	1	CWE04K1023A	←	
	60	WIRE NET	1	CWD041103A	←	
	61	CABINET TOP PLATE CO.	1	CWE03C1096	←	
	62	HANDLE	2	CWE161008	←	
	64	PIPE COVER (FRONT)	1	CWD601074A	←	
	65	PIPE COVER (BACK)	1	CWD601075A	←	
	66	CABINET FRONT PLATE CO.	1	CWE06C1091	←	
	68	TUBE ASSY (CAP.TUBE)	1	CWT07K1541	←	
	69	ACCESSORY CO. (DRAIN ELBOW)	1	CWG87C2030	←	

SAFETY	REF. NO.	DESCRIPTION & NAME	QTY.	WH-UX09FE5	WH-UX12FE5	REMARK
	70	EXPANSION VALVE (1)	1	CWB051049	←	O
	71	ELECTRO MAGNETIC SWITCH	1	K6C1AYY00003	←	O
⚠	73	V-COIL COMPLETE (CN-EV2)	1	CWA43C2335	←	O
	74	SENSOR - COMP. (BYPASS & EVA EXIT TEMP)	1	CWA50C3165	←	O
	75	EXPANSION VALVE (BYPASS)	1	CWB051029	←	O
	76	2-WAYS VALVE	1	CWB021637	←	
⚠	77	V-COIL COMPLETE (2 WAY VALVE)	1	CWA43C2607	←	O
	83	BAG	1	CWG861204	←	
	85	BASE BOARD - COMPLETE	1	CWG62C1086	←	
	86	SHOCK ABSORBER	2	CWG712852	←	
	87	SHOCK ABSORBER	1	CWG712854	←	
	88	C.C.CASE	1	CWG568054	←	

**Note:**

- All parts are supplied from PAPAMY, Malaysia (Vendor Code: 00029488).
- "O" marked parts are recommended to be kept in stock.